

# X-Ray RU9185



ARIOTEK® Cargo X-Ray Detection System



## Key Features

- High-End Processor Technology
- Cargo Counter
- Previous Visible Image Recall
- Image Evaluation Function (VARY-MAT, O2, OS, HI/LO)
- B/W – Color Image Presentation
- Full Reverse Mode
- Time/Date Displaying & Marking
- Dual-Direction Scanning, 45s Ready to Work
- Multi Language Interface (Persian-English-Arabic)

Rayan Roshd Afzar .Co (Ltd) is the first manufacturer of X-Ray inspection systems licensed by Atomic Energy Organization of Iran (AEOI) and the European standard (CE) with **ARIOTEK** brand for using at airports, country borders, customs and important public, administrative and Security.

An X-Ray detection system comprised of Ergonomic user interface, Powerful functions, Ease of operation, High operational efficiency, Organic and Inorganic material discrimination technology for Explosive and Narcotics automatic detection, providing unsurpassed image quality and insuring reliable image analysis.

### General Specifications

Tunnel Size	1502 (W) × 1820 (H) (mm)
Max Object Size	1500 (W) × 1800(H) (mm)
Conveyor Belt Speed	0.22m/s
Conveyor Height	460mm
Conveyor Load	250 kg (evenly distributed)
Dimensions	6950 (L) × 1890 (W) × 2875 (H) (mm)
Weight	approx . 4430 Kg

### Technical

X-Ray Detectors	16 bit deep, Dual Energy
Wire Resolution	34 AWG (0, 160 mm Cu)
Steel Penetration	Up to 50 mm
Contrast Sensitivity	65536 Gray Level

### X-Ray Generator

X-Ray Generator	1 unit
Anode/Tube Voltage Output	320kV
Tube Current	0.5 to 2 mA
Cooling	Oil Bath
Duty Cycle	Need to warm up daily for 30 minutes
Beam Direction	78° Downward generating direction

### Video

Display Type	Single 22Full HD Color Monitor
Display Resolution	1280×1024, 24 Bit/Pixel Color

### Installation data

Mechanical Construction	Steel construction on Seismic Bases
Sound Pressure Level	<70 db
Operating /Storage Temperature	0°C to +40°C / -20°C to +70°C
Relative Humidity	90% (non-condensing)
Protection Class System	IP20

### Electrical

Power Requirement	230 VAC , 50 Hz , approx. 4 kVA
-------------------	---------------------------------

### Health & Safety

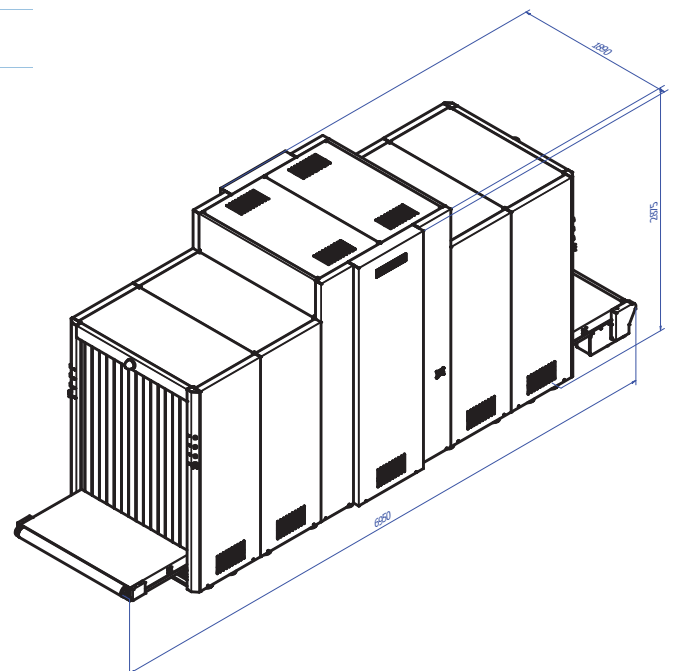
Radiation Standards	IEC-IAEA-ICRP-WHO
Film Safety	ISO 1600 film guaranteed
X-Ray Radiation Dose/Scan	<2.5µSv
Radiation Emission Leakage	< 0.5 µSv/h at a distance of 5cm from external surface of the cabinet X-Ray

### Standard Features

- 4 Color Imaging
- Cargo Counter
- Time/Date Display
- Color and Black/White Imaging
- Continues Zoom to 64x
- Drugs & Explosive Material Automatic Detection
- Density Alert
- Edge – Enhancement Imaging
- High Penetration Function
- Image Review
- Material Discrimination
- Organic /Inorganic Imaging
- Reverse Monochrome
- Image Automatic Storage , Image Recall
- Manual Bitmap Archive
- USB Storage,CD,DVDRW & Image Storage/TCP/IP
- Real – Time Self-Diagnostics
- Dual-Direction Scanning
- Operator Training System

### Optional Features

- 24" Full HD LCD Monitor
- Adjustable Operator Console
- External UPS
- Digital camera, DVR
- Entry/Exit Roller Table (Customized Dimensions)
- Local Language Support



X-Ray  
RU9185

#### Office Address:

No 2, Yasaman Ave, Yas 3 St., Golha Blvd, Golestan (Raah Aahan) Residential District, Tehran, Iran,

**Phone:** +9821- 44716393

+9821-44717868

+9821- 44716451

+9821-44716458

**Fax:** +9821- 44716404

**Website:** www.ariotek.ir

**Email:** sale@rayanroshd.ir

**ARIOTEK**<sup>®</sup>

**CSP**

ISO 9001:2015

**CE**

**AOI**

**AEOI**



Knowledge-Based Product