

X-Ray RU9180



ARIOTEK® Cargo X-Ray Detection System



Key Features

- High-End Processor Technology
- Cargo Counter
- Previous Visible Image Recall
- Image Evaluation Function (VARY-MAT, O2, OS, HI/LO)
- B/W – Color Image Presentation
- Full Reverse Mode
- Time/Date Displaying & Marking
- Dual-Direction Scanning, 45s Ready to Work
- Multi Language Interface (Persian-English-Arabic)

Rayan Roshd Afzar .Co (Ltd) is the first manufacturer of X-Ray inspection systems licensed by Atomic Energy Organization of Iran (AEOI) and the European standard (CE) with **ARIOTEK** brand for using at airports, country borders, customs and important public, administrative and Security.

An X-Ray detection system comprised of Ergonomic user interface, Powerful functions, Ease of operation, High operational efficiency, Organic and Inorganic material discrimination technology for Explosive and Narcotics automatic detection, providing unsurpassed image quality and insuring reliable image analysis.

General Specifications

Tunnel Size	1935(W) × 1815(H) (mm)
Max Object Size	1800(W) × 1800(H) (mm)
Conveyor Belt Speed	0.24m/s
Conveyor Height	580 mm
Conveyor Load	5000 kg (evenly distributed)
Dimensions	10570(L) × 2940(W) × 2990(H) (mm)
Weight	approx. 9000 Kg

Technical

X-Ray Detectors	16 bit deep, Dual Energy
Wire Resolution	37 AWG (0, 11 mm Cu)
Steel Penetration	Up to 30 mm -Up to 60 mm
Contrast Sensitivity	256 visible levels, 65536 Gray Level

X-Ray Generator

X-Ray Generator	2unit
Anode/Tube Voltage Output	UP to 200 kV - UP to 320kV
Tube Current	1 to 5 mA
Cooling	Oil Bath
Duty Cycle	100%, No Warm up Procedure Required
Beam Direction	78° upward generating direction 78° Downward generating direction

Video

Display Type	27" 4k Color Monitor
Display Resolution	1280×1080, 24 Bit/Pixel Color

Installation data

Mechanical Construction	Steel construction on Seismic Bases
Sound Pressure Level	<70 db
Operating /Storage Temperature	0°C to +40°C / -10°C to +60°C
Relative Humidity	5% - 85% (non-condensing)
Protection Class System	IP20

Electrical

Power Requirement	400 VAC , 50 Hz , approx. 5 kVA
-------------------	---------------------------------

Health & Safety

Radiation Standards	IEC-IAEA-ICRP-WHO
Film Safety	ISO 1600 film guaranteed
X-Ray Radiation Dose/Scan	<2.5µSv
Radiation Emission Leakage	< 0.5 µSv/h at a distance of 5cm from external surface of the cabinet X-Ray

Standard Features

- 4 Color Imaging
- Cargo Counter
- Time/Date Display
- Color and Black/White Imaging
- Continues Zoom to 64x
- Vertical Zoom Panning
- Drugs & Explosive Material Automatic Detection
- Density Alert
- Edge – Enhancement Imaging
- High Penetration Function
- Image Review
- Material Discrimination
- Organic /Inorganic Imaging
- Reverse Monochrome
- Image Automatic Storage , Image Recall
- Manual Bitmap Archive
- USB Storage,CD,DVDRW & Image Storage/TCP/IP
- Real – Time Self-Diagnostics
- Dual-Direction Scanning
- Operator Training System

Optional Features

- 24" Full HD LCD Monitor
- Adjustable Operator Console
- External UPS
- Digital camera, DVR
- Entry/Exit Roller Table (Customized Dimensions)
- Local Language Support

Office Address:

No 2, Yasaman Ave, Yas 3 St., Golha Blvd, Golestan (Raah Aahan) Residential District, Tehran, Iran,

Phone: +9821- 44716393

+9821-44717868

+9821- 44716451

+9821-44716458

Fax: +9821- 44716404

Website: www.ariotek.ir

Email: sale@rayanroshd.ir

ARIOTEK[®]

CSP

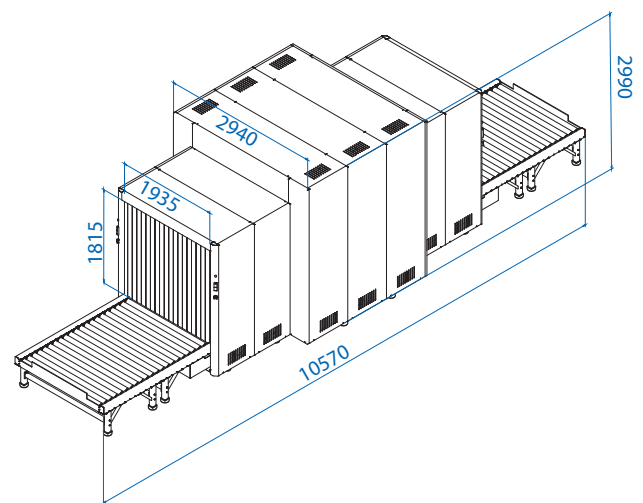
ISO 9001:2015



AEOI



Knowledge-Based Product



X-Ray
RU9180